



## Changeover Thermostat

**RYT182**

for summer / winter changeover

- The calibrated thermostat is used to detect
  - heating media temperatures  $>30\text{ °C}$  ( $\pm 4\text{ K}$ )
  - cooling media temperatures  $<19\text{ °C}$  ( $\pm 4\text{ K}$ )
- Potential-free changeover contact with a switching capacity of AC 250 V, 3 A

### Use

The changeover thermostat is used for monitoring the temperature of liquid media in piping systems to provide summer / winter changeover in HVAC plant.

### Ordering

When ordering, please give name and type reference:  
Changeover thermostat **RYT182**

### Mode of operation

The thermostat acquires the medium temperature with its bimetal sensing element. When the temperature rises, the thermostat switches to heating mode at  $30\text{ °C} \pm 4\text{ K}$  (contact C – B closed). On a temperature drop, it switches to cooling mode at  $19\text{ °C} \pm 4\text{ K}$  (contact C – A closed).

The voltage signal delivered by the thermostat's changeover contact can be used to drive a motorized 3-port valve.

## Mechanical design

---

The changeover thermostat consists of a black plastic casing with a fixing bracket. The electrical connection is made via a 3-core cable of 0.5 meter length which is attached to the casing. The mounting spring supplied with the thermostat is required to fit the device to a pipe having a diameter between 9.5 and 16 mm.

## Mounting notes

---

To ensure correct acquisition of the medium temperature inside the pipe, the changeover thermostat must be fitted with thermal conductive paste applied to the contact surface.

Before mounting, any paint left on the pipe where the thermostat will be fitted must be removed. The device must be securely attached to the pipe.


 Caution!

For AC 230 V mains applications:

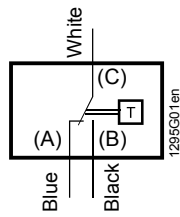
The RYT182 is designed for exclusive use with devices of safety class I.

## Technical data

---

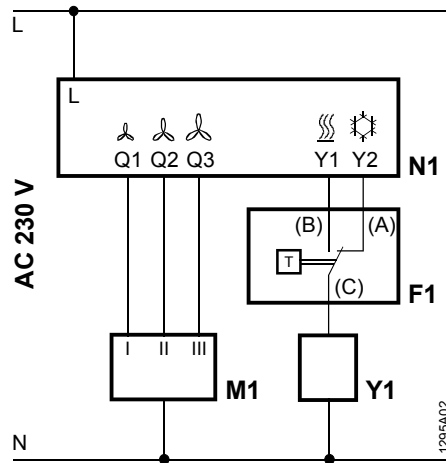
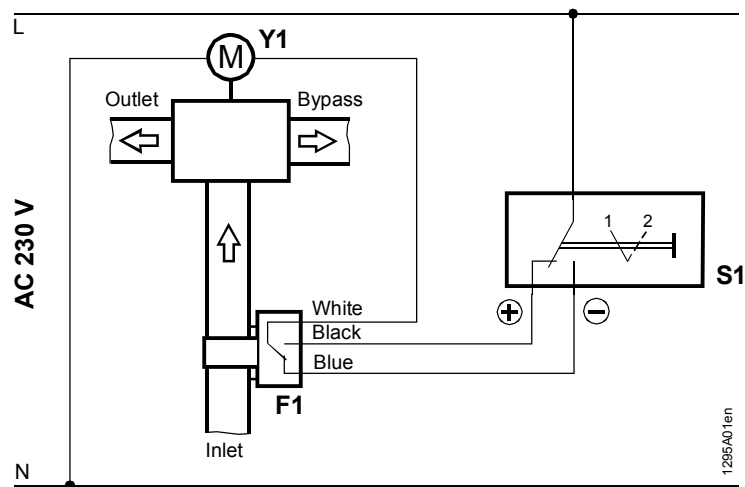
Functional data	Calibration	
	Contact C – B (white – black) closed	> 30 °C ± 4 K
	Contact C – A (white – blue) closed	< 19 °C ± 4 K
	Contact output	potential-free changeover contact
	Switching capacity	AC 230 V, 3 A
Medium	water, refrigerants	
Sensing element	bimetal	
Connections	Mechanically	
	With tension spring	for pipes having a dia. of 9.5...6 mm
	Electrically	
Cable connection	3 x 2.5 mm <sup>2</sup> , approx. 0.5 m long	
Protection	Degree of protection of housing	IP 54 to EN 60 529
	Safety class	designed for use with devices of safety class I to EN 60 730
Environmental conditions	Operation to	IEC 60 721-3-3
	Climatic conditions	class 3K5
	Temperature	-30...+100 °C
	Humidity (non-condensing)	5...95 % r.h.
	Transport to	IEC 60 721-3-2
	Climatic conditions	class 2K3
Temperature	-20...+70 °C	
Humidity	<95 % r. h.	
Mechanical conditions	class 2M2	
Norms and standards	Product safety	
	Automatic electrical controls for household and similar use	EN 60 730-1, EN 60 730-2-9
	 conformity to low-voltage directive	2006/95/EC
Materials and colors	Casing envelope	PC, black
	Casing cover	PC, black
	Base	copper, nickel plated
	Mounting bracket	stainless steel
	Thermostat (entirely)	silicon-free
Weight	Excl. packaging	0.068 kg

## Internal diagram



Contact C – B (white – black) closed    = >30 °C ±4 K = heating  
 Contact C – A (white – blue) closed    = <19 °C ±4 K = cooling

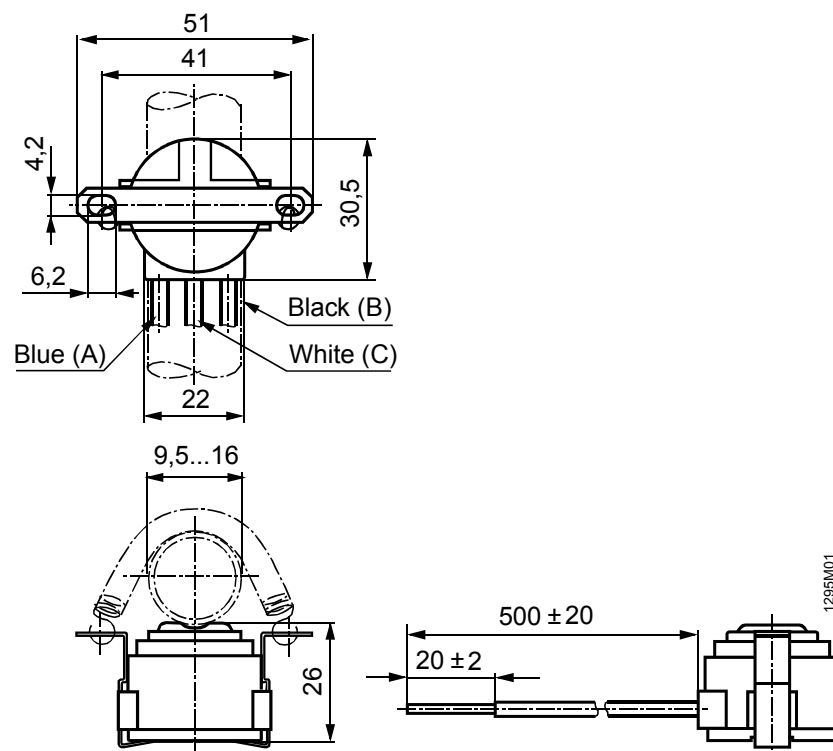
## Connection diagrams (examples)



### Legend

- F1 Changeover thermostat RYT182
- M1 3-stage fan
- N1 Room thermostat RAB20...
- S1 Heating / cooling changeover switch
- Y1 Motorized valve (e.g. actuator SFA21/18 with 3-port valve VX146)
- ⊕ Heating
- ⊖ Cooling

## Dimensions



Dimensions in mm